

Himalaya Series Precision Balance



The combination of high accuracy and low price makes the Himalaya series BL and EL of Setra precision balance an exceptional value. The clean, contemporary lines, fine workmanship and durable construction are designed to provide years of reliable service.

Each BL and EL balance is designed for easy of operation and calibration. Standard features include an easy-to-read bubble level to insure the best possible accuracy, a large, bright, LED display with a rapid update rate for filling, an indicator to confirm a stable reading, bidirectional RS-232 communications, rugged die-cast aluminum housing, chemically resistant keypad, stainless steel weighing pan and a transparent plastic dust cover.

Low capacity balances are provided with a 3 doors draftshield or a cylindrical glass draftshield .

All balances employ our patented and award-winning variable capacitance sensing technology. This technology requires few parts, allowing the balances to maintain a low profile and remain structurally streamlined both inside and out, providing you with better reliability at a lower price. Each balance is covered by a no-nonsense one year warranty that includes replacement parts and labor.

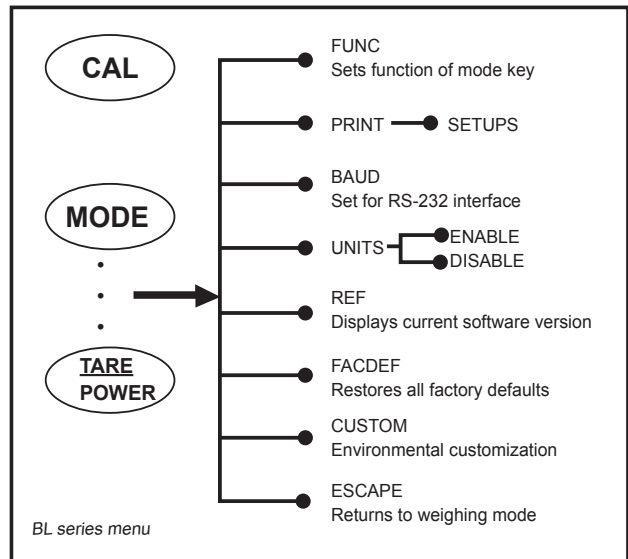
Call Setra for the name of a local authorized dealer who can assist you in selecting the right balance for your application or visit our website at www.setra.com.cn

Features

- High Accuracy
- High Resolution 1/400,000
- Overload Protection
- Plug and Play
- Bi-directional RS232 Communications
- LED Display with Rapid Update
- Rugged Die-cast Aluminum Housing
- Easy for Maintain and Repair

Himalaya series production introduce

The BL Series of single range balances combines versatility with very high readability. The six button keyboard affords great flexibility by allowing a choice of several weighing modes. In addition to measurements such as grams, ounces and carats, each BL balance can display weight as a percent for use in checkweighing and as grams per second to monitor flow rates. A user defined unit can be programmed for any unit of measure, such as ml for measuring volume and \$ for measuring value. Each balance has a mode key that may be used to select either a fast or slow display update rate. This key can also be used to lock in a displayed weight, a feature which is useful in continuous weighing applications. The print key may be set to transmit data instantaneously, continuously or at selected time intervals.



MB Series is LCD display mode of BL series. There is slinky facies and saving power.

The EL Series of gram weighing balances includes single range models as well as two dual range model, the EL-410D and EL-4100D. The dual range balances automatically display the maximum resolution whenever the balance is tared, regardless of how much weight is zeroed out. For instance, the 0.001g resolution of the SI-410D is available up to 100 grams even when taring objects that weigh close to the balance's rated capacity. A special mode key can be used to perform a variety of functions such as conducting a simple span calibration or activating a unique hold feature that can lock in a displayed weight. This key can also initiate data transfer to a printer or computer. Data transmission can be instantaneous, continuous or intermittent.



Dymo TM Labelwriter SE300 Thermal Printe

Options

- 110Vac/60Hz adapter (for US)-PN407712
- Security Lock Kit (Lock not included) -PN407900
- DymoTM Labelwriter SE300 Thermal Printer -PN401106
- Cylindrical glass Draftshield - PNDS9407
- 3 Doors Draftshield - PN407913
- Down Weighing



Cylindrical glass Draftshield - DS9407

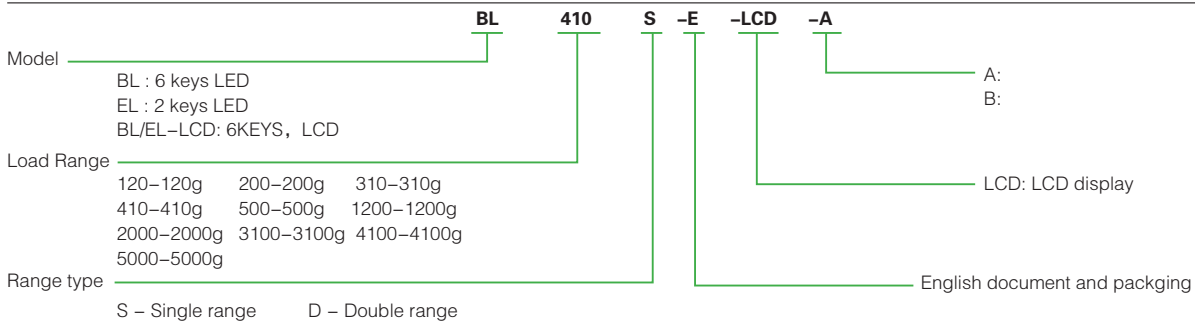


3 Doors Draftshield-PN407913

Himalaya Series Precision Balance Specifications

Model	BL120S	BL200S	BL310S	BL410S	BL500S	BL1200S	BL2000S	BL3100S	BL4100S	BL5000S
Capacity	120g	200g	300g	410g	500g	1200g	2000g	3100g	4100g	5000g
Readability	0.001					0.01				
Repeatability	± 0.001					± 0.01				
Linearity	± 0.002					± 0.02				
Keyboard	6 keys; if 2 keys,model "EL" option(example:EL120S); If LCD display, model BL-LCD option(example:BL120-LCD)									
Pan size(mm)	φ 120					φ 158				
Draftshield	Yes					No				
Size WxDxH(mm ³)	279*178*285					279*178*78				
Security Lock Kit	option									
Wighing Modes	grams/OE/ounce grams									
Counting	Yes (model BL or BL-LCD)									
Interface	standard bidirectional RS-232 communications									
Display	0.57" LED; If LCD display, model BL-LCD ption(example:BL120-LCD)									
Power	7.2VDC(offer exchange adapter)									
Baud Rate	300,600,1200,2400,4800,9600									
Operation Temperature	5 ~ 43°C (40 ~ 100° F)									
Gross Weight	4.5KG									
Windshield	3--doors Windshield					No				

Ordering Information



Note:

- 220VAC/50HZ(Chinese plug)is standard, if you select other power supplier, standard power supplier is not included, other power supplier, Pls call Danaher.
- 3--doors windshield is standard for 120g~500g/1mg.
- Options can be ordered seperately.

Available Ordering Models

series	Model	Capacity/Readability	Description
BL series	* BL 5000S	5000gX0.01	LED, 6 Key
	BL 4100S	4100gX0.01	LED, 6 Key
	BL 3100S	3100g X 0.01	LED, 6 Key
	BL 2000S	2000gX0.01	LED, 6 Key
	BL 1200S	1200gX0.01	LED, 6 Key
	* BL 500S	500gX0.001	LED, 6 Key, With 3--doors windshield, 220VAC/50Hz power supplier
	BL 410S	410gX0.001	LED, 6 Key, With 3--doors windshield, 220VAC/50Hz power supplier
	BL 310S	310gX0.001	LED, 6 Key, With 3--doors windshield, 220VAC/50Hz power supplier
	BL 200S	200gX0.001	LED, 6 Key, With 3--doors windshield, 220VAC/50Hz power supplier
	BL 120S	120gX0.001	LED, 6 Key, With 3--doors windshield, 220VAC/50Hz power supplier
BL/EL-LCD series	BL/EL 4100S-LCD	4100gX0.01	LCD, 6 Key, With 3--doors windshield, 220VAC/50Hz power supplier
	BL/EL 2000S-LCD	2000gX0.01	LCD, 6 Key
	BL/EL 410S-LCD	410gX0.001	LCD, 6 Key
	BL/EL 200S-LCD	200gX0.001	LCD, 6 Key, With 3--doors windshield, 220VAC/50Hz power supplier
EL series	* EL 5000S	5000gX0.01	LED, 2 Key, With 3--doors windshield, 220VAC/50Hz power supplier
	EL 4100S	4100gX0.01	LED, 2 Key
	EL 2000S	2000gX0.01	LED, 2 Key
	EL 1200S	1200gX0.01	LED, 2 Key
	* EL 500S	500gX0.001	LED, 2 Key, With 3--doors windshield, 220VAC/50Hz power supplier
	EL 410S	410gX0.001	LED, 2 Key, With 3--doors windshield, 220VAC/50Hz power supplier
	EL 200S	200gX0.001	LED, 2 Key, With 3--doors windshield, 220VAC/50Hz power supplier
	EL 120S	120gX0.001	LED, 2 Key, With 3--doors windshield, 220VAC/50Hz power supplier
	EL 4100D	1000gX0.01g/4100gX0.1g	LED, 2 Key, dual range
	EL 410D	100gX0.001g/410gX0.01g	LED, 2 Key, dual range, With 3--doors windshield, 220VAC/50Hz power supplier

* specifications subject to change without notice

Local Dealer Information



Danaher Setra-ICG (Tianjin) Co.,LTD

Post code: 300385

Telephone: +86 22 83988098

Fax: +86 22 83988099

E-mail: sales@dhr-scg.com.cn

<http://www.setra.com.cn>

<http://www.setra.com>

Shanghai Office Sales department

Address: Room1709, Tower 1, Kerry Everbright City, No 218,
Tianmu Road (W) Shanghai, China

Post Code: 200070

Telephone: +86 21 63538373, 63539541

Fax: +86 21 63170367

E-mail: Linda.huang@dhr-scg.com.cn

Also Available from Setra

A broad line of counting scales and other weighing unit. Accurate, reliable performance for every budget. Call or email for details or visit website <http://www.setra.com.cn>

This publication doesn't include contract between Danaher Setra and its customers. The contents maybe changed at any time without notice, it is customer responsibility to ensure safe installation and operation of the products, detail mounting drawing of all products illustrated are available on request. Danaher Setra 2006 copyright.